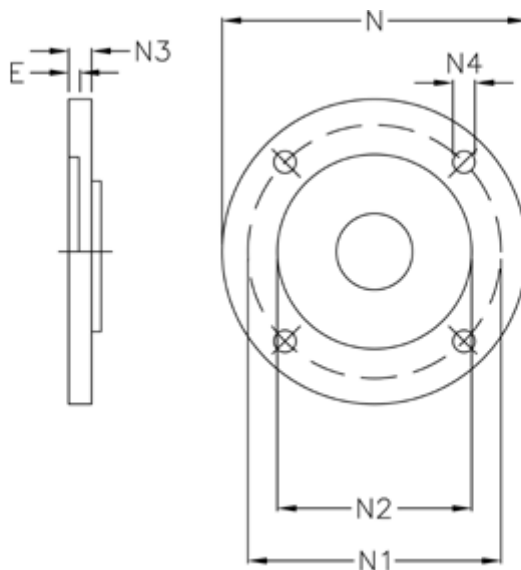


Article number: 3966210000065

Description: Flange 200B5 for VF 210

Measures



E = 8.0

N = 400

N1 = 350

N2 = 300.0

N3 = 25.0

N4 = M16